

**HDBaseT HDMI Over CAT
Cable Receiver w/ 5Play Convergence,
Scaler, Format Converter - # 15267**



Operation Manual

Introduction

The HDMI video scaler with LAN/IR/RS-232/Bidirectional PoE over Single CAT5e/6/7 Receiver can receive uncompressed audio/video over a single run of CAT5e/6/7 cable up to 100m or over HDMI input with Bidirectional PoE feature. The system supports various ways of control that can be done through on-panel buttons, IR remote, RS-232 and OSD. The device provides full range of output resolutions up to 1080p for HDTV timing and WUXGA(RB) for PC timing.

Applications

- Extending incoming signal from CAT5e/6/7 to HDMI output
- Scale up HDMI input low resolution video on High-Definition display
- Lecture room/Showroom/Meeting room/Classroom display and control

System

Requirements

HDBaseT compatible Transmitter input or PS3/Blu-ray player and output display with HDMI input jack

Features

- Supports full range HDTV and PC output resolutions up to 1080p and WUXGA (RB)
- Receive HDMI signal and scale up to HD output
- Receive uncompressed data over a single 100 m/328 ft CAT5e/6/7 cable
- 5Play™ convergence: Video, Audio, LAN, Bidirectional PoE & Control (IR & RS-232 bypass)
- Supports IR, Remote control, RS-232 (bypass) and on-panel controls
- Supports OSD (On Screen Display) selection and display system information
- Provide with 24V DC power to or received from compatible PoE Transmitter through CAT5e/6/7
- Supports Ethernet transmission rate up to 100Mbps
- Supports HDMI, Optical (S/PDIF) audio sampling rate up to 48kHz
- Support HDMI and Optical (S/PDIF) audio up to LPCM 2CH

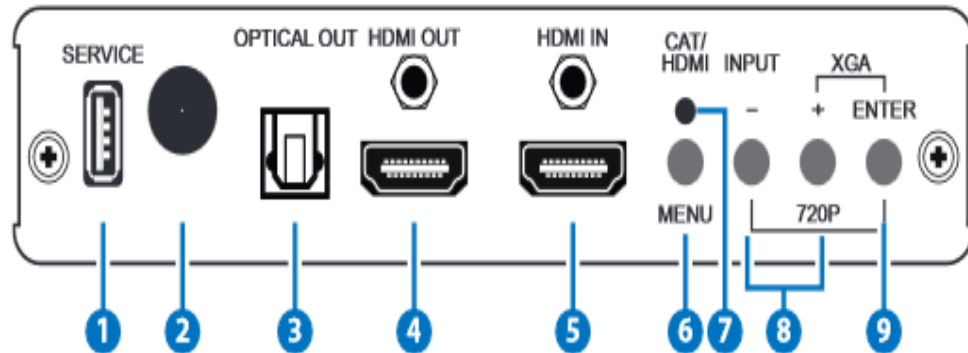
Note:

1. This system was tested with CAT6/23AWG cables, results may vary with cables of a different specification.
2. The PoE function is designed for powering compatible Transmitter units only—non-PoE Transmitter will need their own power supply. Transmitters of another brand may not be compatible.



Operation Controls and Functions

Front Panel



1. SERVICE:

This port is reserved for firmware update only.

2. IR:

IR Receiver window (accepts the remote control signal of this device only).

3. OPTICAL OUT:

Connect to an amplifier or active speaker with optical cable for audio output.

4. HDMI OUT:

This slot is to connect with HDMI TV/Monitor

5. HDMI IN:

This slot is to connect with source equipment such as DVD/PS3 player.

6. MENU:

Press this button to enter into the OSD menu.

7. INPUTNT CAT/HDMI LED:

Press this button to select input from CAT or HDMI. When input CAT is selected the LED will illuminate in green and when input HDMI is selected the LED will illuminated in red.

8. -/+:

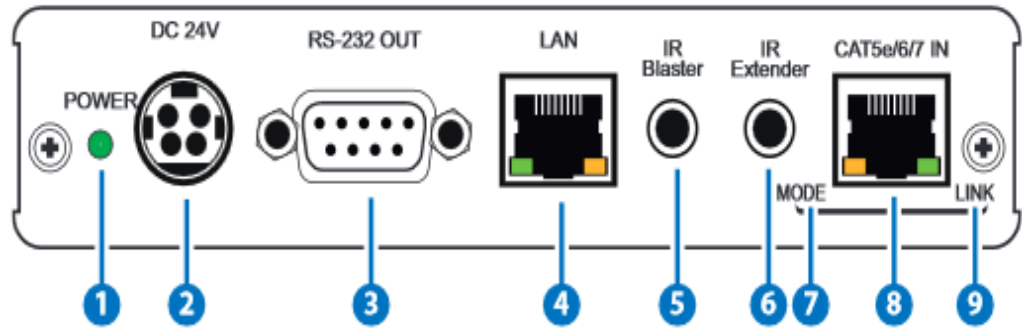
Press these buttons to scrolled down and up in the OSD selection.

9. ENTER:

Press this button to confirm the selection. Press this button together with [-] key to switch output timing to 720p@60 instantly.

Press this button together with [+] key to switch output timing to XGA (1024x768) instantly

Rear Panel



1. Power LED:

This LED will illuminate when the device is connected to a power supply.

2. DC 24V:

Plug the 24 V DC power supply into the unit and connect the adaptor to an AC outlet. Only one side of power is needed to activate both Transmitter and Receiver when both obtain the PoE function.

3. RS-232 OUT:

This slot is to connect with D-Sub 9-pin cable from device equipment for receiving RS-232 commands.

4. LAN:

Connect to an active network for LAN sharing of a total transmission rate up to 100Mbps. Or when a compatible LAN equipped Transmitter is connected to an active network, this allows the network access (including internet access if available) to be shared between the Transmitter and Receiver. Connect any Ethernet equipped device e.g. a Smart TV or games console to the LAN port for that device to share the network internet access.

Note:

DO NOT connect this slot with any of the CAT5e/6/7 port. Doing so may trigger power shut down and ruin the device.

5. IR Blaster:

Connect to the supplied IR Blaster cable for IR signal transmission. Place the IR Blaster in direct line-of-sight of the equipment to be controlled.

6. IR Extender:

Connect to the supplied IR Receiver cables for IR signal reception. Ensure that remote being used is within the direct line-of-sight of the IR Extender.

7. MODE LED:

This LED will illuminated when the power is connected.

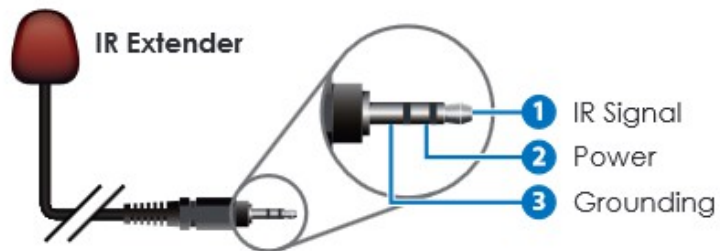
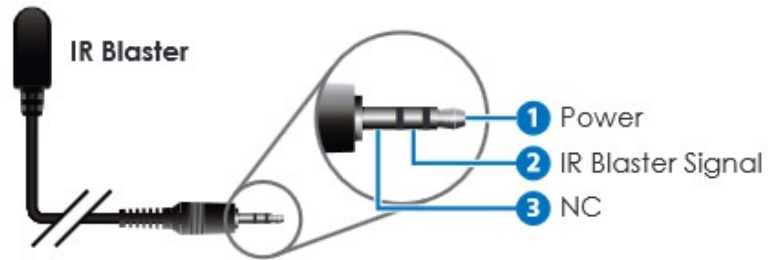
8. Link LED:

This LED will illuminate when the slot has been connected to the Transmitter and the Transmitter has connected with sources that shows image on screen.

9. CAT5e/6 IN:

Connect to the Transmitter unit with a Single CAT5e/6/7 cable for receiving all data signals

IR Cable PIN Assignment



RS-232 Protocols

CAT Cable Reciever	
PIN	Definition TX/RX
1	NC
2	TxD/RxD
3	RxD/TxD
4	NC
5	GND
6	NC
7	NC
8	NC
9	NC

Baud Rate: 9600bps

Data bit: 8 bits

Parity: None

Flow Control: None

Stop Bit: 1

**RS-232 & Telnet
Commands**

Command	Description
S SOURCE 1~2 R SOURCE	1=HDMI 2=CAT IN Reports the numerical equivalent for SOURCE setting (as above)
S OUTPUT 0~25 R OUTPUT	0=Native 1=640×480 2=800×600 3=1024×768 4=1280×720 5=1360×768 6=1280×720 7=1280×800 8=1280×1024 9=1440×900 10=1400×1050 11=1680×1050 12=1600×1200 13=1920×1080 14=1920×1200 15=480p 16=720p@60 17=1080p@60 18=1080i@60 19=576p 20=720p@50 21=1080p@50 22=1080i@50 Reports the numerical equivalent for OUTPUT setting (as above)
S SIZE 0~6 R SIZE	0=OVERSCAN 1=FULL 2=BEST FIT 3=PAN SCAN 4=LETTER BOX 5=UNDER 2 6=UNDER 1 Reports the numerical equivalent for SIZE setting (as above)
S CONTRAST 0~60 R CONTRAST	Setups the numerical equivalent for CONTRAST setting (as left) Reports the numerical equivalent for CONTRAST setting
S BRIGHTNESS 0~60 R BRIGHTNESS	Setups the numerical equivalent for BRIGHTNESS setting (as left) Reports the numerical equivalent for BRIGHTNESS setting
S HUE 0~60 R HUE	Setups the numerical equivalent for HUE setting (as left) Reports the numerical equivalent for HUE setting
S SATURATION 0~60 R SATURATION	Setups the numerical equivalent for SATURATION setting (as left) Reports the numerical equivalent for SATURATION setting
S SHARPNESS 0~30 R SHARPNESS	Setups the numerical equivalent for SHARPNESS setting (as left) Reports the numerical equivalent for SHARPNESS setting
S NR 0~3	0=OFF 1=LOW 2=MIDDLE 3=HIGH

R NR	Reports the numerical equivalent for the NOISE REDUCTION setting (as above)
S AUDIO DELAY 0~3	0=OFF 2=110ms 1=40ms 3=150ms
R AUDIO DELAY	Reports the numeric equivalent for AUDIO DELAY setting (as above)
S AUDIO MUTE 0/1	0=ON 1=MUTE
R AUDIO MUTE	Reports the numeric equivalent for AUDIO MUTE setting (as above)
S KEY LOCK 0/1	0=ENABLE 1=DISABLE
R KEY LOCK	Reports the numeric equivalent for KEY LOCK setting (as above)
FW	Checks the FIRMWARE version
S RESET 1	Setups the numerical equivalent for RESET setting (as left)

Note:

1. All the RS-232 command will be not executed unless followed with carriage return and LF (Line Feed).
2. Commands are case-insensitive.
3. Resolution 1~16 are RGB encoded and 17~25 are YUV encoded.
4. Digital audio supports LPCM 2CH only, please ensure source input audio is sending LPCM 2CH's audio signal in order to avoid unnecessarily audio noise

Remote Control

1. INPUT:

Select input source from CAT or HDMI.

2. EXIT:

Press this button to exit the menu or escape the current selection under OSD.

3. MENU:

Press this button to enter into the OSD menu.

4. RESET:

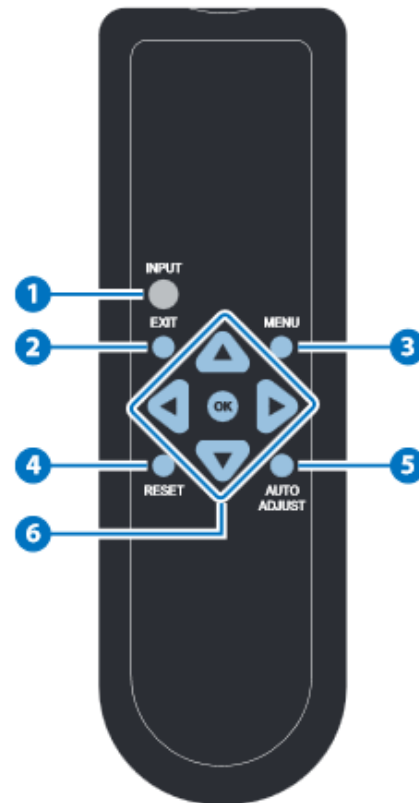
device back into the factory default setting.

5. AUTO ADJUST:

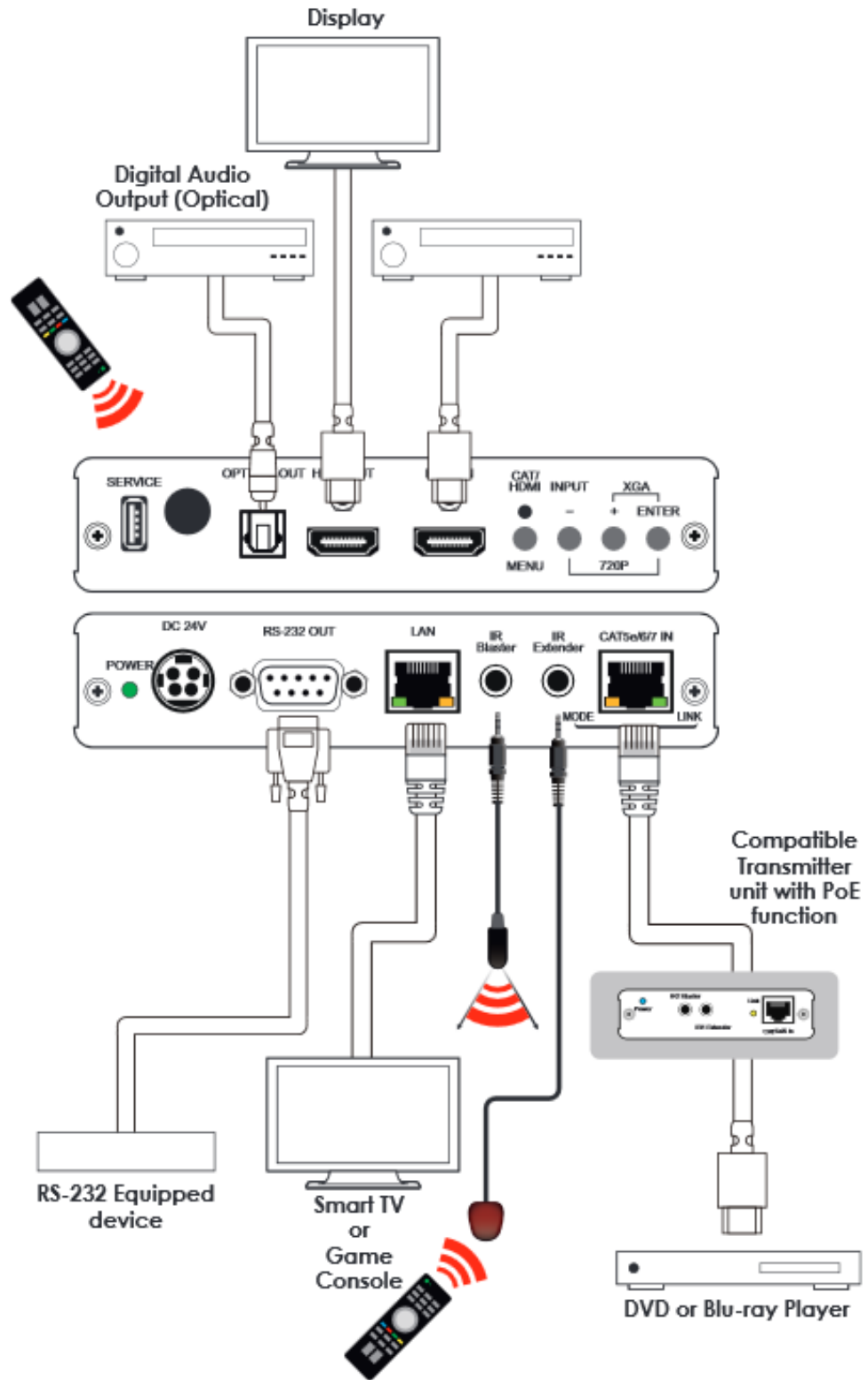
This button will not function under this model.

6. ENTER & ▲▼◀▶:

Press Enter to confirm the selection or press the arrow buttons to scrolled in the OSD selections.



Connections



OSD Menu

1 st Layer	2 nd layer	3 rd Layer
Display	Output	Native
		640X480 60
		800x600 60
		1024x768 60
		1360x768 60
		1280x720 60
		1280x800 60
		1280x1024 60
		1440x900 60
		1400x1050 60
		1680x1050 60
		1600x1200 60
		1920x1080 60
		1920x1200 60
		720X480P 60
		1280X720P 60
		1920X1080I 60
		1920X1080P 60
		720X576P 50
		1280X720P 50
1920X1080I 50		
1920X1080P 50		
Colour	Size	Overscan
		FULL
		Aspect Ratio
		Pan scan
		Letter Box
		Under 2
		Under 1
	Mode Info	INFO

		On
		Off
	Colour	R
		G
		B
		R Offset
		G Offset
		B Offset
	Contrast	0~60
	Brightness	0~60
	Hue	0~60
	Saturation	0~60
	Sharpness	0~60
NR.	OFF	
	Low	
	Middle	
	High	
Audio	Delay	OFF
		40mS
		110mS
		150mS
	Sound	ON
		Mute
Setup	Factory Reset	No
		Yes
	Key Lock	Off
		On
Information	Input	
	Output	
	Revision	

Output Resolution Support

Input Resolution	HDMI
480i/576i	Y
480p/576p	Y
720p@50/60 Hz	Y
1080i@50/60 Hz	Y
1080p@50/60 Hz	Y
VGA@60/72/75 Hz	Y
SVGA@56/60/72/75 Hz	Y
XGA@60/70/75 Hz	Y
SXGA@60/75 Hz	Y
UXGA@60 Hz	Y
1280×800@60 Hz	Y
1680×1050RB@60 Hz	Y
1920×1080@60 Hz	Y

Specifications

Ethernet Speed	100 Mbps
Input Video Bandwidth	300MHz / 10.2Gbps
Output Video bandwidth	165MHz / 1.65Gbps
Input Ports	1x CAT5e/6/7, 1 x IR Extender, 1 x HDMI
Output Ports	1 x HDMI, 1×IR Blaster, 1 x Optical , 1 x RS-232, 1×LAN
CAT5e/6/7 Output Cable Distance	Up to 100 Meters
HDMI output Resolution	HD: Up to 1080p@60Hz PC: Up to WUXGA(RB)
Audio Sampling Rate	Up to 48kHz / LCPM 2CH
CAT5e/6/7 Output Resolution	HD: Up to 1080p@60Hz PC: Up to WUXGA(RB)
IR Frequency	30~50kHz
ESD Protection	Human body model: ±8kV (air-gap discharge) ±4kV (contact discharge)
Dimensions (mm)	145 (W) x 192 (D) x 30(H)/Jacks Excluded 145 (W) x 202.75 (D) x 30(H)/Jacks Included
Weight (g)	608
Chassis Material	Aluminum
Silkscreen Color	Black
Operating Temperature	0℃~40℃ / 32℉~104℉
Storage Temperature	-20℃ ~ 60℃ / -4℉ ~ 140℉
Relative Humidity	20 ~ 90% RH (non-condensing)
Power Consumption	17W