

**HDBaseT-Lite 1x8 HDMI over
CAT5e/6/7 Transmitter-Splitter up to
4K2K - ID# 15119**



Operation Manual

Introduction

The HDMI over HDMI and CAT5e/6/7 Splitter can support resolutions up to 1080p Full HD, 4K×2K timing, 3D and multi-channel digital audio formats to one HDTV and seven CAT5e/6/7 outputs. The HDMI can be connected to HDMI display for instant nearby display and the CAT5e/6/7 can be connected to CAT5e/6/7 to HDMI Receivers for distance up to 60 meters.

Features

- HDMI with 3D and 4K×2K supported, HDCP and DVI compliant
- Simultaneous HDMI and CAT5e/6/7 outputs
- Supports one HDTV and seven CAT5e/6/7 outputs
- Supports data rate from 250Mbps up to 3Gbps
- Supports wide range of PC resolutions from VGA to WUXGA and HDTV resolutions up to 4K×2K (3840×2160@30 Hz and 4096×2160@24 Hz)
- Supports LPCM 7.1CH, Dolby TrueHD, Dolby Digital Plus and DTS-HD Master Audio transmission (32-192 kHz sample rate)
- Supports distances up to 60 meters through CAT5e/6/7 cables
- Supports selection of Standard or TV EDID settings
- Supports USB service port
- Supports Bi-directional IR control
- The 3D signal display follow by display TV's EDID

Note:

1. This system was tested with CAT6/23AWG cables, results may vary with cables of a different specification.
2. For playback of 4k×2k HDMI source signals, a 4K×2K capable display and High Speed HDMI cables are required.

Applications

- Household entertainment sharing and control
- Lecture room display and control
- Showroom display and control
- Meeting room presentation and control
- Classroom display and control

System Requirements

- HDMI equipped source devices, connect with HDMI cables
- HDMI equipped displays (TVs or monitors) or HDMI equipped AV receivers, connect with HDMI cables
- Certified CAT5e/6/7 cables
- HDBaseT™ Receivers

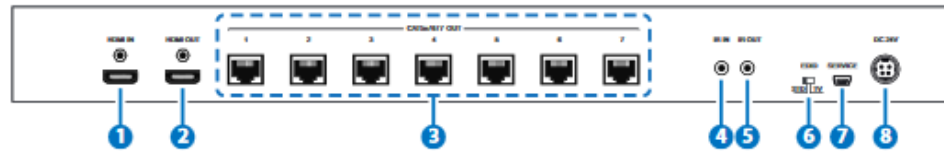
Operating Functions and Controls

Front View



- 1. POWER LED :** The LED will illuminate when connected to an active power supply.
- 2. SYNC LED:** This LED will illuminate when the HDMI input is connected to a HDMI source and receiving a signal.
- 3. HDMI OUT LINK LED:** This LED will illuminate when HDMI output is connected to TV or display monitor and receiving a signal.
- 4. CAT5e/6/7 OUT LINK 1~7 LEDs:** The link LEDs will illuminate when the receivers are connected to the CAT 5e/6/7 outputs are connected to TVs or displays and displaying a signal

Rear View



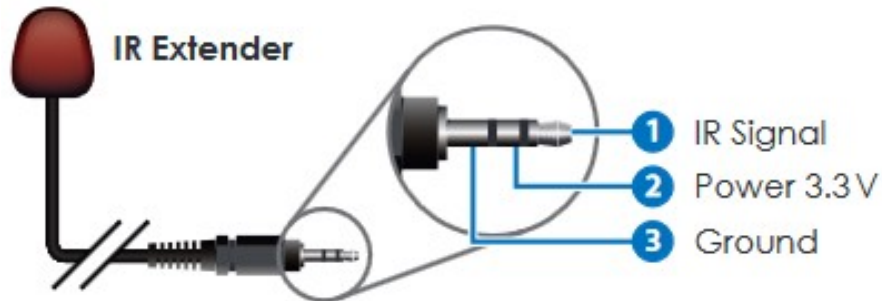
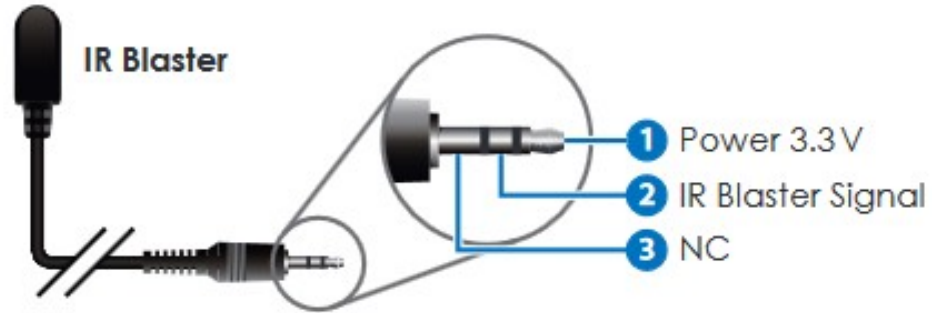
- 1. HDMI IN:** Connect to HDMI equipped source equipment such as a DVD/Blu-ray player or games console.
- 2. HDMI OUT:** Connect to a HDMI display for local monitoring of the HDMI signal or cascade to another Splitter.
- 3. CAT5e/6/7 OUT 1~7:** Connect to CAT5e/6/7 to HDMI Receivers (with or without PoE) with a single CAT5e/6/7 cable each to extend the HDMI signal up to 60m.
- 4. IR IN:** Connect the supplied IR Receiver cable for IR signal reception. Ensure that remote being used is within the direct line-of-sight of the IR Extender.
- 5. IR OUT:** Connect the supplied IR Blaster cable for IR signal transmission. Place the IR Blaster in direct line-of-sight of the equipment to be controlled.
- 6. EDID STD/TV:** The default setting is TV, when in this mode, the unit will detect the EDID settings of the display device connected to the CAT 5e/6/7 Output 1. If it detects a 4K×2K capable EDID setting it will transmit the signal in that format to the output port. If no 4K×2K capable EDID is detected then the unit will detect the EDID settings and send out the signal that all outputs can accept. This device has a last memory function and will retain the EDID settings of the last device connected via the CAT5e/6/7 output

port when it is not connected to a display after power cycling. Switch to the STD setting to use the unit's built-in EDID if there are display problems. In this mode, the video output will be set to 1080p@60Hz and the audio at LPCM 2CH Stereo.

7. **SERVICE:** Reserved for manufacturer use only.

8. **DC 24V:** Connect the 24V DC power supply to the unit and plug the adaptor into an AC outlet.

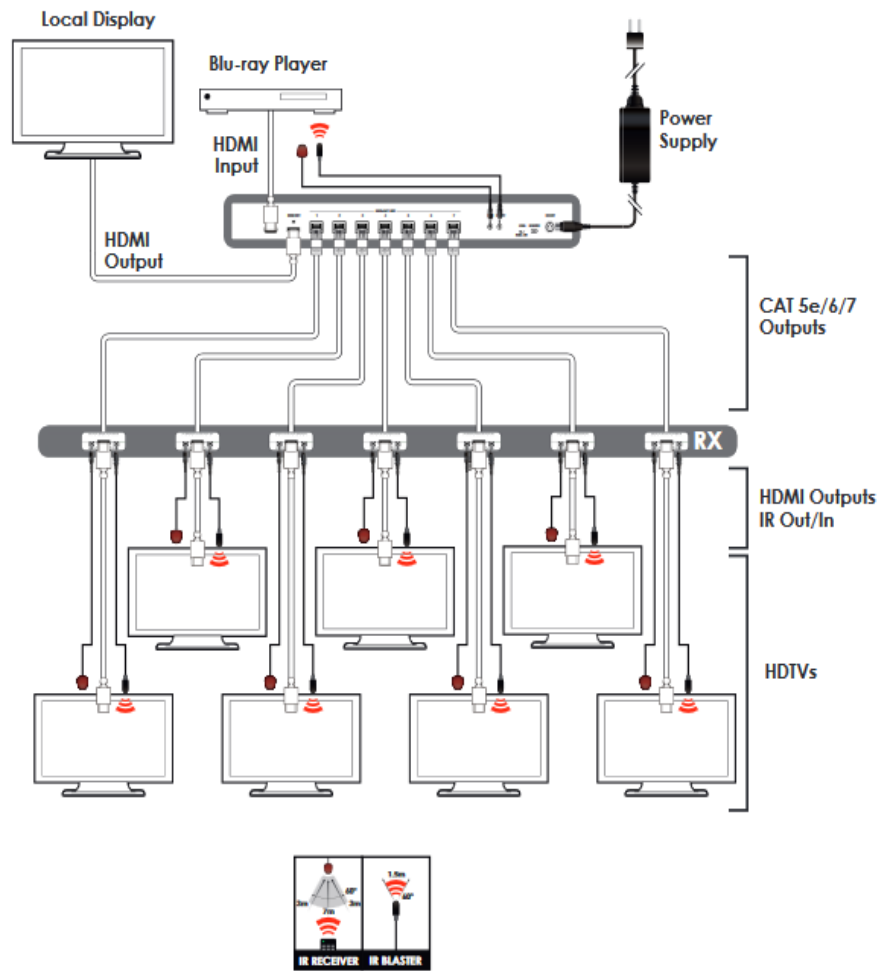
IR Cable Pin Assignment



CAT5e/6/7 Cable Specification

Cable Type	Range	Pixel Clock Rate	Video Data Rate	Supported Video
CAT5e/6/7	60m	≤225 MHz	≤5.3 Gbps (HD Video)	Up to 1080p, 60 Hz, 36 bits, 3D (data rates lower than 5.3 Gbps or below 225MHz TMDS clock)
	40m	>225 MHz	> 5.3 Gbps (Ultra HD Video)	4Kx2K, 30Hz video formats

Connection Diagram



Specifications

Video Bandwidth	340Mbps/10.2Gbps
Input Ports	1×HDMI, 1×IR IN, 1×USB (Service only)
Output Ports	1×HDMI, 7×CAT5e/6/7, 1×IR OUT
HDMI Supported Resolutions	480i~1080p@50/60Hz, 1080p@24Hz, 4K×2K (3840×2160@30 Hz/4096×2160@24/25 Hz) & VGA~WUXGA (RB)
HDMI Input Cable Distance	10m (1080p@8/12-bit),10m (4K×2K)
HDMI Output Cable Distance	15m (1080p@8-bit), 10m (1080p@12-bit), 10m (4K×2K)
IR Frequency	30~50kHz
Power Supply	24V/2.7A DC (US/EU standards, CE/FCC/UL certified)
Dimensions	432mm (W)×179mm(D)×49 mm (H)
Weight	2122g
Chassis Material	Metal
Color	Black
ESD Protection	Human body model: ±8 kV (air-gap discharge) ±4 kV (contact discharge)
Operating Temperature	0 °C ~ 40 °C
Storage Temperature	-20 °C ~ 60 °C / -4 °F ~ 140 °F
Relative Humidity	20 ~ 90 % RH (non-condensing)
Power Consumption	32 W