

CIR-03 Infrared Extender Box and CIR-12 Infrared Repeater

Operation Manual



CIR-03 & CIR-12

Revision History

<i>Version No</i>	<i>Date</i>	<i>Summary of Change</i>
<i>V1</i>	<i>20081113</i>	<i>Preliminary Release</i>

Precaution

Failure to follow the precautions described below may cause damage to Infrared Extender and Repeater Box and void the warranty.

- DO NOT open the case. Doing so will void the warranty. If you find problem with it, please return back to your retailer or seller who will assist you or provide you with solution.
- DO NOT use third-Party AC adapter or power cord. Doing so may damage Infrared Extender and Repeater Box.
- DO NOT bump, jar or drop contents of the products as it may damage it and result in warranty void.
- DO NOT set any liquids or beverages on the drive as they may damage Infrared Extender and Repeater Box.

Table of Contents

1. Introduction.....	1
2. Applications.....	1
3. Package Contents.....	1
4. System Requirements.....	1
5. Features.....	1
6. Operation Controls and Functions.....	2
6.1 Front Panel	2
6.2 Rear Panel	2
7. Connection and Installation.....	3
8. Specifications.....	4

1. Introduction

The IR Extender and the Repeater Box are two perfect devices for controlling source equipments over long distance. Through built-in IR receiver and CAT5 cable, users are able to control up to five source equipments at the same time that can reach up to a distance of 250 meters with your existing remote controls. There is no space limitation with the devices, which means even if the source equipment is placed in a different room or different floor from the display, the performance stays the same. The IR extender and the repeater box grant users a great convenience, allow users to control and display their desired source instantly.

2. Applications

- TV exhibitions at consumer electronic stores.
- Home theater installation.
- Lecture room display.
- Home entertainment.

3. Package Contents

- Infrared Extender Box (CIR-03)
- Infrared Repeater Box (CIR-12)
- 1pc IR Eye Receiver cable (CIR-12)
- 5pcs IR Eye blaster cables (3pcs for CIR-03, 2pcs for CIR-12)
- 2pcs 5V DC power supply adaptors
- Operation Manual

4. System Requirements

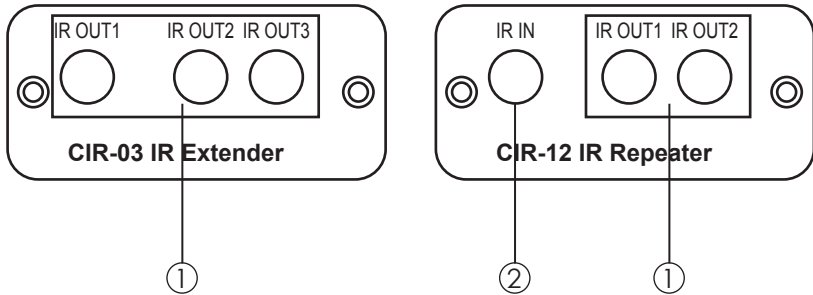
Input source equipments connected with output displays through CAT 5 cable.

5. Features

- Supports five(5) outputs (3 from CIR-03, 2 from CIR-12).
- Control source equipments anywhere within 250 meters, even through walls and ceilings.
- Transmits infrared signals only.
- It allows the use of existing remote controls.
- Only one IR Receiver is needed.
- IR Receiver's frequency is at 20~60 KHz.

6. Operation Controls and Functions

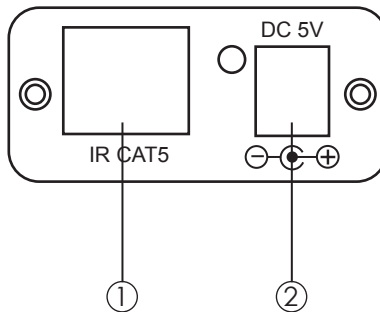
6.1 Front Panel



- ① IR OUT1, 2 and 3: Connect your IR Eye Blaster cables each at 2M long to control source equipments.
- ② IR IN: Connect to IR Eye receiver cable (2M long) for receiving IR remote control signal.

Note: Please be very careful with plug in the blaster and receiver cables as a wrongly connection will result in cable and device burn out.

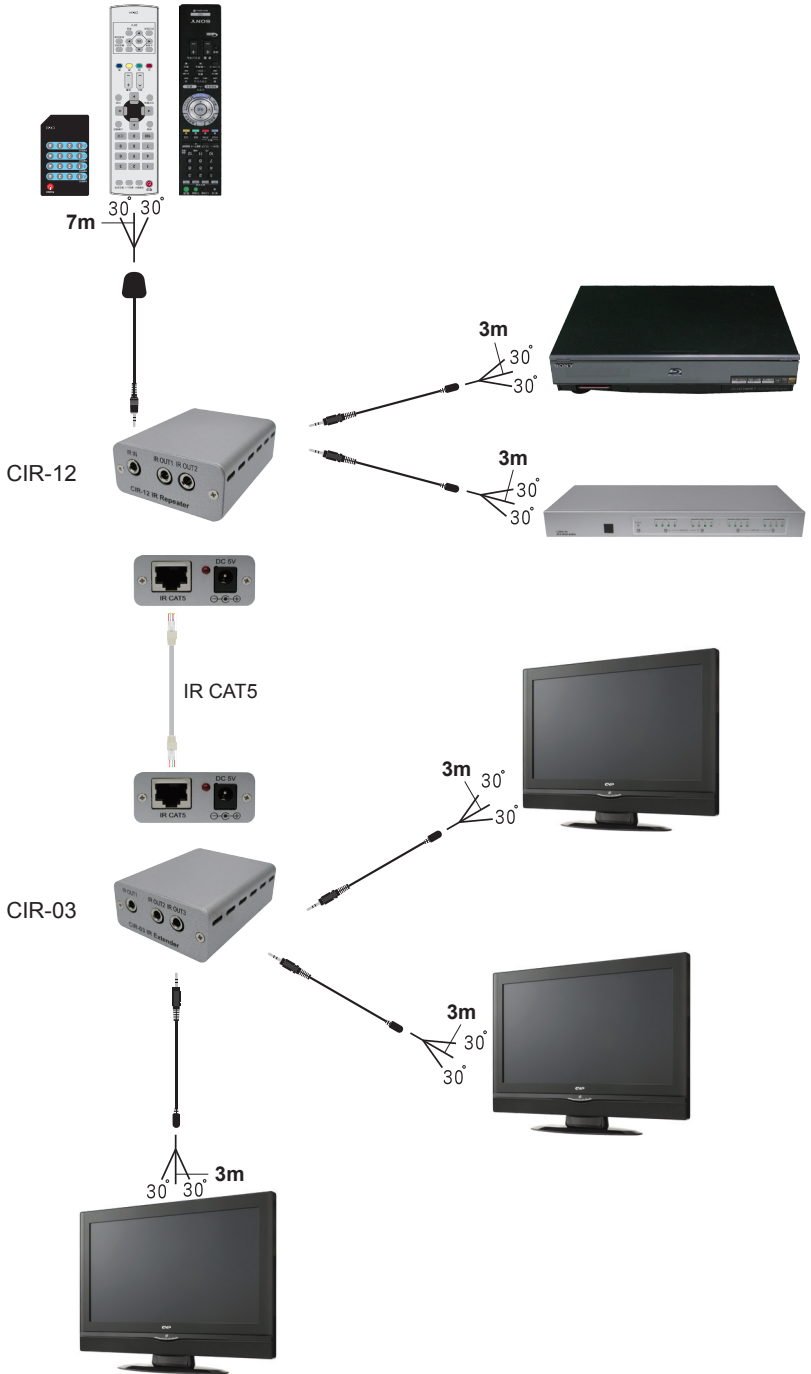
6.2 Rear Panel



- ① IR CAT5: Connect CAT 5 cable to next Infrared Extender Box with IR receiver.
- ② Power: Plug the 5VDC power supply into the unit and connect the adaptor to AC wall outlet.

Note: Only a power adapter is needed, Connect the power adapter on either CIR-03 or CIR-12.

7. Connection and Installation



- Note:** A. IR receiver's control distance can go up to 7 meters long with open space and direct angle.
B. IR extender's Control distance can go up to 3 meters with open Space and direct angle.

8. Specifications

Input Port	1 x IR receiver
Output Ports	1 x CAT5 (CIR-03, CIR-12) 5 x IR extender (3 x CIR-03, 2 x CIR-12)
Power Supply	2 x 5V/500mA DC (US/EU standards, CE/FCC/UL certified for CIR-12.)
Dimensions (mm)	62(W) x 50(D) x 23(H)
Weight(g)	78
Chassis Material	Aluminum
Silkscreen Color	Silver
Operating Temperature	0°C ~ 40°C
Power Consumption	0.5w



CYPRESS TECHNOLOGY CO., LTD.
Home page: <http://www.cypress.com.tw>

20081202 MPM-CIR03&CIR12