

# Video Distributor

Operation Manual

CVSD-3A



The CVSD-3A is the combination of a 1x3 CV and 1x3 SV Distribution amplifier with stereo.

It accepts one CV and one SV input at the same time and delivers 3 buffered and isolated outputs for each of the CV and SV input.

When the CV and SV come from the same source, the CVSD-3A becomes a 1-in 6-out distributor.

### This package includes:

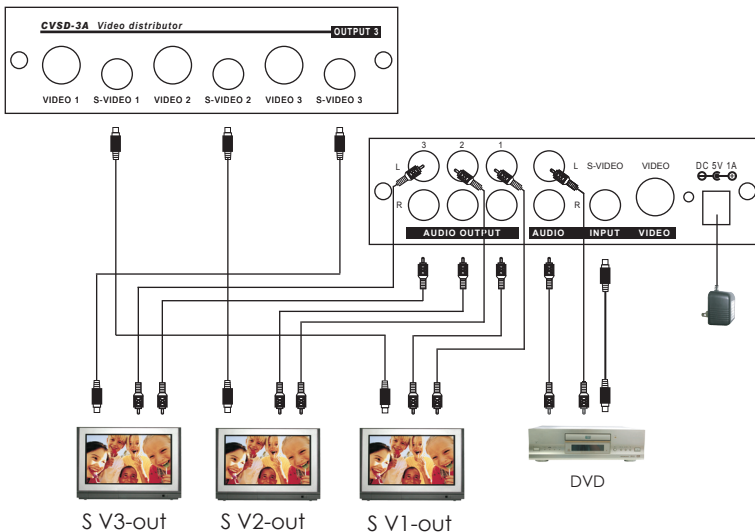
- One CVSD-3A
- One user manual
- One set of S video cable
- One set of 1 R to 1R video cable
- One set of 2R to 2 R audio cable

### Features:

- The input can be composite video or S video. It can connect up to 3 displays for input either.
- High bandwidth : 10MHz (-3dB)
- LED power indicator
- Worldwide power supply.

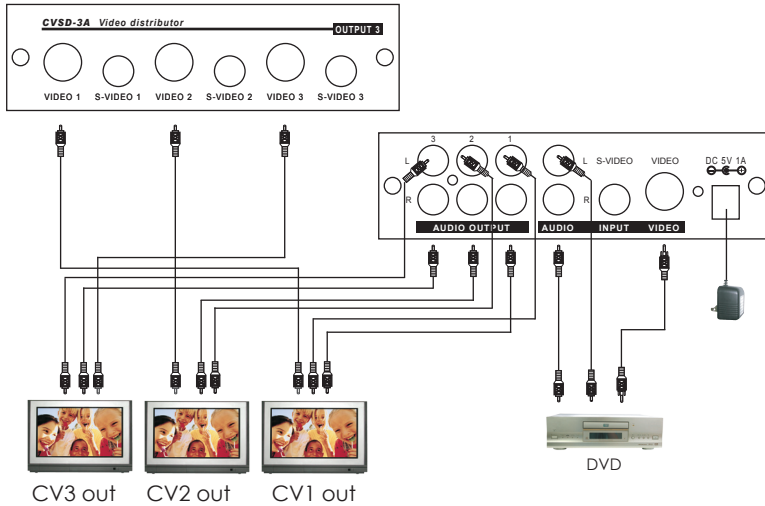
### Connection and Installation:

1. Works as a 1-in 3-out distribution amplifier for S-Video source



## Connection and Installation:

2. Works as a 1-in 3-out distribution amplifier for Video source



## Specifications

- \* Video Input x 1 : 1Vp-p 75 ohm
- \* S-Vido Input x 1 : Y 1Vp-p 75 ohm C 0.7Vp-p 75 ohm
- \* Video Output x 3 : 1Vp-p 75 ohm x 3
- \* S-Video Output x 3 : Y 1Vp-p 75 ohm C 0.7Vp-p 75 ohm
- \* Audio Input x 1 : 2Vrms max 47K ohm
- \* Audio Output x 3 : 2Vrms max 47K ohm
- \* Bandwidth : 10MHZ (-3db)
- \* Differential gain : 0.05%
- \* Differential phase : 0.05 degree
- \* Power : 5V 1~2A
- \* Dimension (WxHxD) : 141 \* 38 \* 105mm

