

# CLUX-4M

## 1x4 HDMI 1.3 with Multi-channels Splitter

### Operation Manual



CLUX-4M

## **Revision History**

<b>Version No</b>	<b>Date</b>	<b>Summary of Change</b>
<b>V1</b>	<b>20081110</b>	<b>Preliminary Release</b>
<b>V2</b>	<b>20090430</b>	<b>EDID Rephrase</b>

## **Precautions**

Failure to follow the precautions described below may cause damage to multi channel splitter and void the warranty.

- DO NOT open the case. Doing so will void the warranty. If you find problem with it, please return back to your retailer or seller who will assist you or provide you with solution.
- DO NOT use third-Party AC adapter or power cord. Doing so may damage multi channel splitter.
- DO NOT bump, jar or drop contents of the products as it may damage it and result in warranty void.
- DO NOT set any liquids or beverages on the drive as they may damage multi channel splitter.

# ***Table of Contents***

<b>1. Introduction.....</b>	<b>1</b>
<b>2. Applications.....</b>	<b>1</b>
<b>3. Package Contents.....</b>	<b>1</b>
<b>4. System Requirements.....</b>	<b>1</b>
<b>5. Features.....</b>	<b>2</b>
<b>6. Operation Controls and Functions.....</b>	<b>3</b>
6.1 Front Panel .....	3
6.2 Rear Panel .....	4
<b>7. Connection and Installation.....</b>	<b>4</b>
<b>8. Specifications.....</b>	<b>4</b>

## **1. Introduction**

This is a 4 to 2 HDMI v1.3 switcher/selector which allows 4 HDMI ports to be switched to two independent display output. This is compatible with HDMI v1.3 specifications, a cutting-edge technology which defines the support to transfer Deep Color (12 bits/color) and new lossless compressed (Dolby TrueHD, Dolby Digital Plus and DTS-HD Master Audio) digital audio, with a high bandwidth up to 225MHz.

## **2. Applications**

- Connect one source equipment to HDMI input and four HDMI/DVI displays to HDMI output for Multi-display instantly.
- For Multi-levels displays, just connect extra splitter.
- Back up display image.

## **3. Contents**

- HDMI v1.3 DA
- Operation Manual
- 5V DC power supply adaptor

## **4. System Requirements**

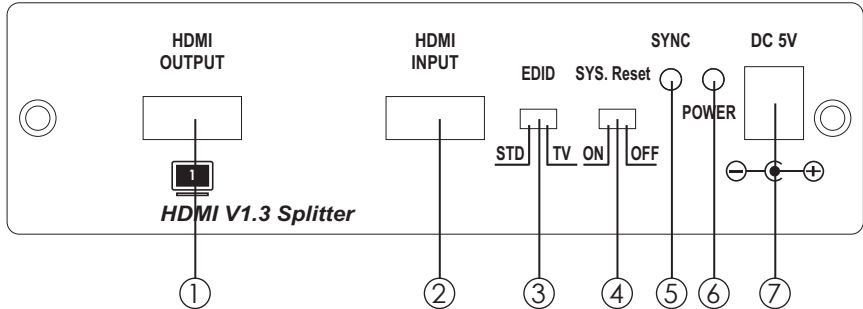
HDMI input source equipment and output HDTVs.

## **5. Features**

- HDMI 1.3, HDCP1.1 and DVI1.0 compliant.
- Deep color video up to 12bit, 1080p@(24/60)Hz.
- One HDMI source that can connect up to four HDMI displays simultaneously.
- HDCP keysets allows each output to work independently when connecting to a HDMI display.
- Splits a HDMI source up to four outputs without signal loss.
- Supports DVI source and DVI display by using HDMI to/from DVI adaptor cable.
- Dolby Digital Plus, DTS digital audio transmission (32-192 kHz Fs sample rate).
- Supports a wide range of PC and HDTV resolutions from VGA to UXGA and 480i to 1080p.
- HDMI cable distance test with 1080p/8bits resolution the, Input/Output can run up to 15/15 meters. If 1080p/12bits the Input/Output can run up to 10/15 meters.
- Selects EDID from TV mode or STD mode (this splitter).
- Supports CEC bypass.
- Supports System Reset function.

## 6. Operation Controls and Functions

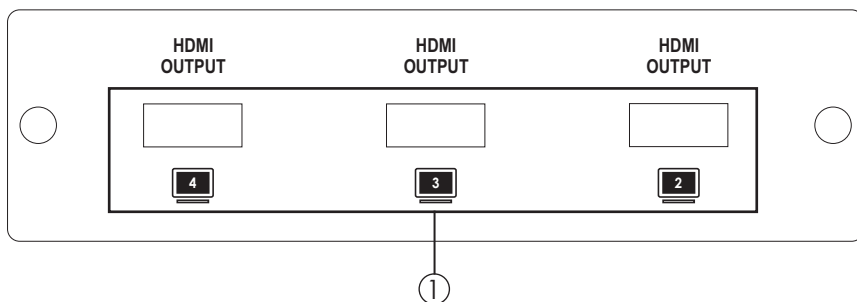
### 6.1 Front Panel



- ① HDMI Outputs 1: Connect each of the output ports to the HDMI display. When more than one output connected, the HDMI outputs play identical video signal simultaneously.
- ② HDMI Input: Connect input port to the HDMI or DVI output of your source equipment such as DVD player or set-top-box.
- ③ EDID Control switcher: Default factory setting is TV, leave as it is when the displays are working properly. Switch to STD to use built-in EDID, detail capability in note.
- ④ SYS. Reset: Default factory setting is "OFF". Switch to "ON" the system will send the internal CEC to the display within 8~10 minutes, to force all the displays switch to HDMI port 1. In the same time, TV must Supports CEC function in order to display accordingly. When switch to "OFF" the system.
- ⑤ Sync LED: The LED will illuminate when the HDMI source signal is connected to the input port.
- ⑥ Power LED Indicator: The LED will illuminate when the power is connected.
- ⑦ Power: Plug the 5V DC power supply into the splitter and connect the adaptor to AC wall outlet.

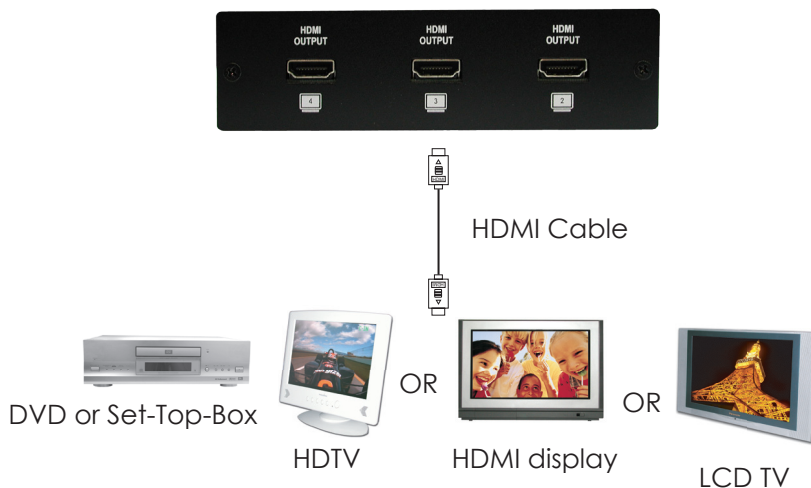
- Note:**
1. When EDID is on TV: Leave as it is if display is properly, unit will detect the first HDMI output source's EDID and record in the unit. If the first detected output source is DVI it will pass to next source, until the first HDMI been detected. The detection priority is HDMI v1.3>HDMI v1.2 >DVI.
  2. When EDID is on STD: unit use built-in EDID  
Video Supports -> 1080p 12 bit (max)  
Audio Supports -> PCM2
  3. Your EDID selection will only activated when the unit is replug and power on.

## 6.1 Rear Panel



- ① HDMI Outputs 2/3/4: Connect each of the output ports to the HDMI display. When more than one output connected, the HDMI outputs play identical video signal simultaneously.

## 7. Connection and Installation



## 8. Specifications

Input Ports	4 x HDMI
Output Ports	2 x HDMI
Power Supply	5V/1A DC (US/EU standards, CE/FCC/UL certified)
Dimensions (mm)	206(W) x 111(D) x 32(H)
Weight(g)	248
Chassis Material	Plastic
Silkscreen Color	Black
Operating Temperature	0°C ~ 40°C



**CYPRESS TECHNOLOGY CO., LTD.**  
Home page: <http://www.cypress.com.tw>

20081120 MPM-CLUX4M