

DCT-2 Coaxial/ Toslink Audio Converter

Operation Manual



Introduction

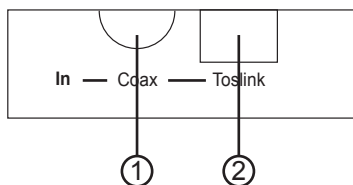
Cypress DCT-2 is a Coaxial / Toslink audio converter, compact and convenient. It accepts S/PDIF audio signal input through either Coaxial cable or Toslink cable, and passes the signal (as is) to both its coaxial and Toslink output ports. With its built-in amplification feature, DCT-2 can also serve as a repeater of audio signal and extend (double) the transferring distance.

Features

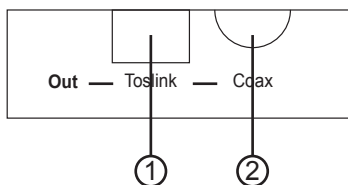
1. Supports two-way conversion: Coaxial to Toslink or Toslink to Coaxial.
2. Supports input audio signal from 2 channels up to 5.1 channels, output signal follows input.
3. Supports amplification of S/PDIF audio and extends the transferring distance, through coaxial and/or Toslink cables.
4. Select one input from Coaxial or Toslink input ports, and send S/PDIF audio signal to both Coaxial and Toslink output ports simultaneously.
5. Compact size and easy to install.

Operation Controls and Functions

Input Panel



Output Panel



Input Panel:

1. Coaxial Input:

Connect to the output port of your S/PDIF audio source such as DVD player or amplifier, using Coaxial cable.

2. Toslink Input:

Connect to the output port of your S/PDIF audio source such as DVD player or amplifier, using Toslink (optical fiber) cable.

Output Panel:

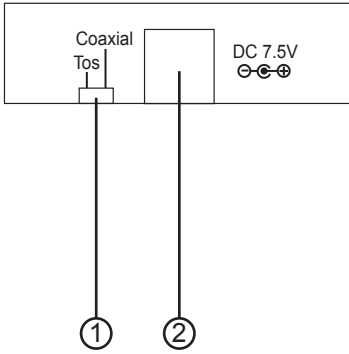
1. Toslink Output:

Connect to the input port of your S/PDIF audio equipment such as amplifier, using Toslink (optical fiber) cable.

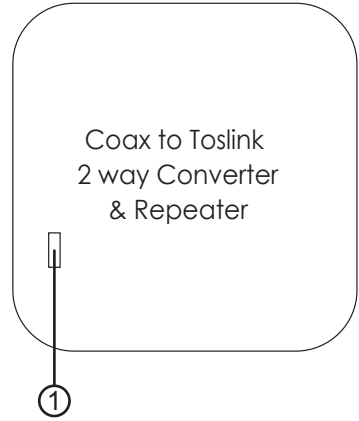
2. Coaxial Output:

Connect to the output port of your S/PDIF audio equipment such as amplifier, using Coaxial cable.

Switcher Panel



Upper Cover



Switcher Panel:

1. Input Selection:

Use this mini switcher to select input from Coaxial or Toslink input ports.

2. Power:

Plug the power supply into DCT-2 unit and connect the adaptor to AC wall outlet.

Upper Cover:

1. Power LED:

The LED will illuminate when the power supply is connected.

Specifications

- * Input: 1 x Coaxial RCA Jack and 1 x Toslink (optical fiber) port
- * Output: 1 x Coaxial RCA Jack and 1 x Toslink (optical fiber) port
- * Power: DC 7.5V / 500 mA, center positive
- * Dimension: 42(W) x 40.5(D) x 22(H) mm
- * Weight: 25g (adaptor not included)

Connection and Installation

